



Maeda MC-285 Technical specifications

Specification

Model	MC-285CRM(E)
Crane capacity	2.82 t x 1.4m
Max. working radius	8.205m
Max. lifting height	Approx 8.7m
Hook speed	8.0m / min (4 falls)
Single line speed	32m / min (4th layer)
Wire rope	IWRC 6 x Fi (29) ϕ 7 x 48m
Telescopic system:	
Boom length	2.53m~8.575m
Telescoping speed	6.04m / 22sec
Boom type	Fully automatic 5 section pentagonal telescopic boom
Derricking angle / time	0~80° / 14 sec
Slewing angle / time	360°continuous / 2.3 rpm
Outrigger system	4 multi position box type with lock valves
Traction system:	
Drive	Hydrostatic type, stepless forward and reverse
Travel speed	0-2.2km/h
Gradability	20°
Crawler ground length	975mm
Ground pressure	0.44kg/cm ²
Crawler width	200mm

Engine:

MC285CRM - petrol	Yanmar 2TNE68-ME
Type	2 cylinder water cooled diesel
Max. output	6.57 kW / 2600rpm
Starting method	Electric
Fuel	Diesel
Fuel tank capacity	12L
MC285CRM(E) - diesel	5A-EB434-01 Mitsubishi
electric	Fully enclosed fan cooled motor
Type	5.5 Kw 4P 400V

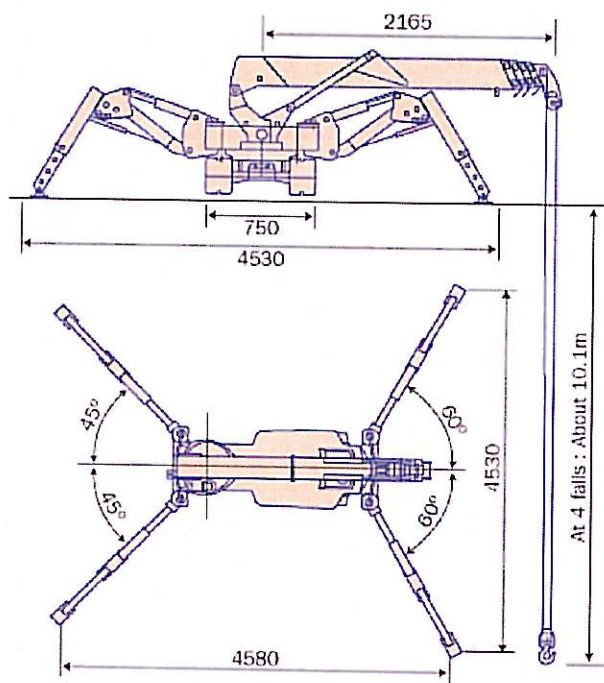
Size & Dimensions:

Length x Width x Height	
MC285CRM	2715mm x 750mm x 1440mm
Length x Width x Height	
MC285CRM(E)	3360mm x 750mm x 1440mm
Weight MC285CRM	1720kg
Weight MC285CRM(E)	1900kg

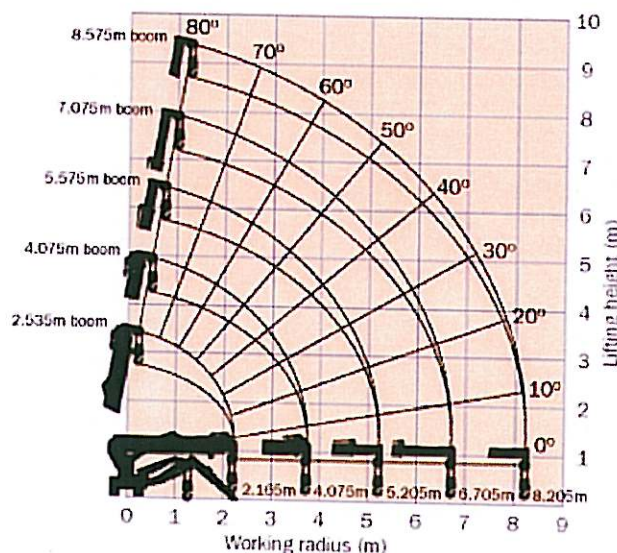
Standard equipment:

- Remote control
- Working light
- Hour-meter
- 4-fall hook block

Technical Drawing



Working range chart



The working range chart applies to cases without load and does not include boom deflections.

	Black rubber tracks
	Safe load indicator
Optional equipment:	White rubber tracks
	Single fall hook
	Two fall hook
	Searcher hook
	Wireless radio remote control

For further details please contact Kranlyft UK.

Due to improvements, the specifications are subject to change without notice.

Total rated load (Outriggers at maximum position)

4.075 boom		5.575 boom		7.075 boom		8.575 boom	
Working radius (m)	Total rated load (kg)	Working radius (m)	Total rated load (kg)	Working radius (m)	Total rated load (kg)	Working radius (m)	Total rated load (kg)
< 1.4	2820	< 3.0	1220	< 3.6	820	< 4.0	550
1.5	2520	3.5	970	4.0	740	4.5	400
2.0	1920	4.00	780	4.5	580	5.0	340
2.5	1570	4.5	630	5.0	480	5.5	300
3.0	1220	5.0	530	5.5	430	6.0	270
3.5	970	5.205	530	6.0	380	6.5	230
3.705	920			6.5	350	7.0	200
				6.705	330	7.5	180
						8.0	150
						8.205	150

Based on actual working radius that takes into account boom deflections under load. Includes 20kg of Hook Block.



Info@kranlyft.com
www.maedacrane.com